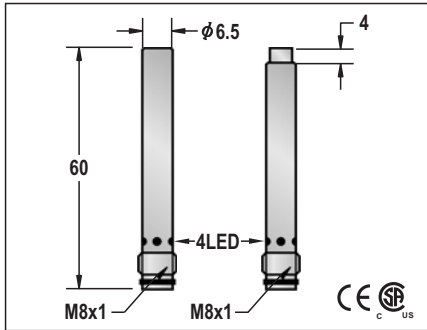


DC STANDARD BODY WITH EXTENDED SENSING DISTANCE CONNECTOR TYPE

DC STANDARD BODY WITH EXTENDED SENSING DISTANCE CONNECTOR TYPE

φ6.5	
●	○
2 mm	4 mm
stainless steel	
●	

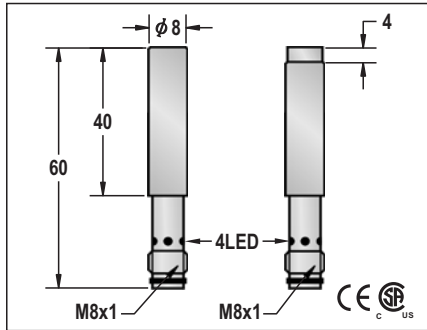


10-30VDC	
<10%	
<10mA	
200mA	
<0.01mA	
-	
<1.5V	
2KHZ 0.1ms/0.1ms	1KHZ 0.2ms/0.2ms
<15%	
<1.0%(Sr)	
IP67	
-25 °C - +70 °C	
<10%(Sr)	
YES	
220mA	
<10ms	
RFI>3V/m / EFT>1KV / ESD>4KV (contact)	
IEC 60947-5-2,Part 7.4.1 / IEC 60947-5-2,Part 7.4.2	
POM	

ECU1-D0602N-ACU3	29	ECU2-D0604N-ACU3
ECU1-D0602N-BCU3	29	ECU2-D0604N-BCU3
ECU1-D0602P-ACU3	30	ECU2-D0604P-ACU3
ECU1-D0602P-BCU3	30	ECU2-D0604P-BCU3
ECU1-D0602P-SCU4	32	ECU2-D0604P-SCU4
ECU1-D0602N-SCU4	31	ECU2-D0604N-SCU4
ECU1-D0602C-ACU3	39	ECU2-D0604C-ACU3
ECU1-D0602C-BCU3	78	ECU2-D0604C-BCU3

Approx.17 g	
-------------	--

φ8	
●	○
2 mm	4mm
stainless steel	
●	

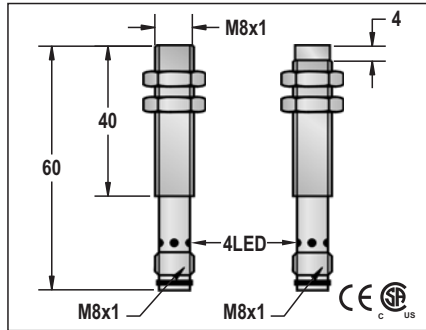


10-30VDC	
<10%	
<10mA	
200mA	
<0.01mA	
-	
<1.5V	
2KHZ 0.1ms/0.1ms	1KHZ 0.2ms/0.2ms
<15%	
<1.0%(Sr)	
IP67	
-25 °C - +70 °C	
<10%(Sr)	
YES	
220mA	
<10ms	
RFI>3V/m / EFT>1KV / ESD>4KV (contact)	
IEC 60947-5-2,Part 7.4.1 / IEC 60947-5-2,Part 7.4.2	
POM	

ECU1-D0802N-ACU3	29	ECU2-D0804N-ACU3
ECU1-D0802N-BCU3	29	ECU2-D0804N-BCU3
ECU1-D0802P-ACU3	30	ECU2-D0804P-ACU3
ECU1-D0802P-BCU3	30	ECU2-D0804P-BCU3
ECU1-D0802P-SCU4	32	ECU2-D0804P-SCU4
ECU1-D0802N-SCU4	31	ECU2-D0804N-SCU4
ECU1-D0802C-ACU3	39	ECU2-D0804C-ACU3
ECU1-D0802C-BCU3	78	ECU2-D0804C-BCU3

Please see Page 18 for details and specifications of DC 2-Wire models on this page.	
Approx.15 g	

M8	
●	○
2 mm	4mm
stainless steel	
●	



10-30VDC	
<10%	
<10mA	
200mA	
<0.01mA	
-	
<1.5V	
2KHZ 0.1ms/0.1ms	1KHZ 0.2ms/0.2ms
<15%	
<1.0%(Sr)	
IP67	
-25 °C - +70 °C	
<10%(Sr)	
YES	
220mA	
<10ms	
RFI>3V/m / EFT>1KV / ESD>4KV (contact)	
IEC 60947-5-2,Part 7.4.1 / IEC 60947-5-2,Part 7.4.2	
POM	

ECU1-0802N-ACU3	29	ECU2-0804N-ACU3
ECU1-0802N-BCU3	29	ECU2-0804N-BCU3
ECU1-0802P-ACU3	30	ECU2-0804P-ACU3
ECU1-0802P-BCU3	30	ECU2-0804P-BCU3
ECU1-0802P-SCU4	32	ECU2-0804P-SCU4
ECU1-0802N-SCU4	31	ECU2-0804N-SCU4
ECU1-0802C-ACU3	39	ECU2-0804C-ACU3
ECU1-0802C-BCU3	78	ECU2-0804C-BCU3

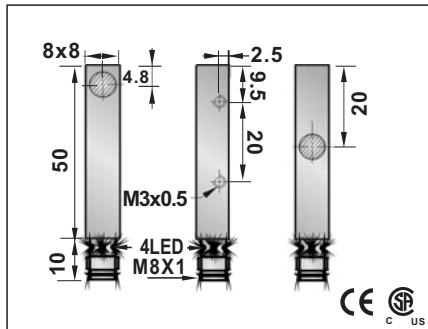
Approx.15 g	
-------------	--

Q8、 $\phi 11$ 、M12

DC STANDARD BODY WITH EXTENDED SENSING DISTANCE CONNECTOR TYPE

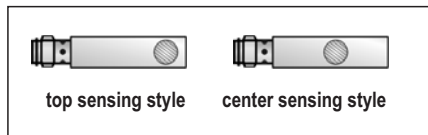
DC STANDARD BODY WITH EXTENDED SENSING DISTANCE CONNECTOR TYPE

Q8	
●	
2 mm	
die-cast	
●	



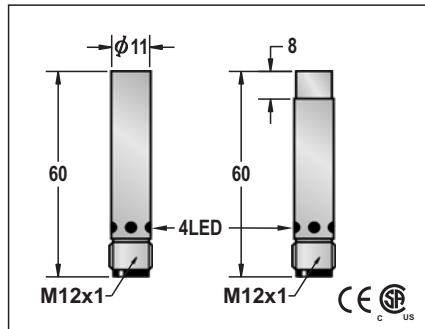
10-30VDC	
<10%	
<10mA	
200mA	
<0.01mA	
-	
-	
<1.5V	
2KHZ	
0.1ms/0.1ms	
<15%(Sr)	
<1.0%(Sr)	
IP67	
-25°C - +70°C	
<10%(Sr)	
YES	
220mA	
<10ms	
RFI>3V/m / EFT>1KV / ESD>4KV (contact)	
IEC 60947-5-2,Part 7.4.1 / IEC 60947-5-2,Part 7.4.2	
POM	

EQM1-8802N-ACU3T	29	EQM1-8802N-ACU3M
EQM1-8802N-BCU3T	29	EQM1-8802N-BCU3M
EQM1-8802P-ACU3T	30	EQM1-8802P-ACU3M
EQM1-8802P-BCU3T	30	EQM1-8802P-BCU3M



Approx.38 g

$\phi 11$	
●	○
4 mm	8 mm
nickel plated brass	
●	



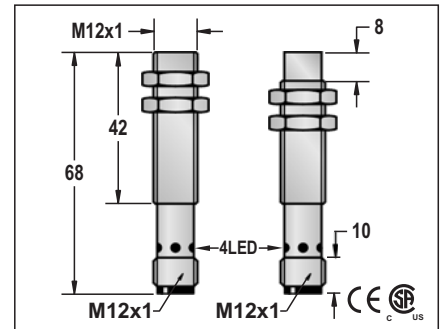
10-30VDC	
<10%	
<10mA	
200mA	
<0.01mA	
-	
-	
<1.5V	
1KHZ	500HZ
0.2ms/0.2ms	0.5ms/0.5ms
<15%	
<1.0%(Sr)	
IP67	
-25°C - +70°C	
<10%(Sr)	
YES	
220mA	
<10ms	
RFI>3V/m / EFT>1KV / ESD>4KV (contact)	
IEC 60947-5-2,Part 7.4.1 / IEC 60947-5-2,Part 7.4.2	
POM	

ECM1-D1104N-ARU4	33	ECM2-D1108N-ARU4
ECM1-D1104N-BRU4	34	ECM2-D1108N-BRU4
ECM1-D1104P-ARU4	35	ECM2-D1108P-ARU4
ECM1-D1104P-BRU4	36	ECM2-D1108P-BRU4
ECM1-D1104P-SRU4	38	ECM2-D1108P-SRU4
ECM1-D1104N-SRU4	37	ECM2-D1108N-SRU4
ECM1-D1104C-ARU4	40	ECM2-D1108C-ARU4
ECM1-D1104C-BRU4	78	ECM2-D1108C-BRU4

Please see Page 18 for details and specifications of DC 2-Wire models on this page.

Approx.30 g

M12	
●	○
4 mm	8 mm
nickel plated brass	
●	



10-30VDC	
<10%	
<10mA	
200mA	
<0.01mA	
-	
-	
<1.5V	
1KHZ	500HZ
0.2ms/0.2ms	0.5ms/0.5ms
<15%	
<1.0%(Sr)	
IP67	
-25°C - +70°C	
<10%(Sr)	
YES	
220mA	
<10ms	
RFI>3V/m / EFT>1KV / ESD>4KV (contact)	
IEC 60947-5-2,Part 7.4.1 / IEC 60947-5-2,Part 7.4.2	
POM	
PBT	

ECM1-1204N-ARU4	33	ECM2-1208N-ARU4
ECM1-1204N-BRU4	34	ECM2-1208N-BRU4
ECM1-1204P-ARU4	35	ECM2-1208P-ARU4
ECM1-1204P-BRU4	36	ECM2-1208P-BRU4
ECM1-1204P-SRU4	38	ECM2-1208P-SRU4
ECM1-1204N-SRU4	37	ECM2-1208N-SRU4
ECM1-1204C-ARU4	40	ECM2-1208C-ARU4
ECM1-1204C-BRU4	78	ECM2-1208C-BRU4

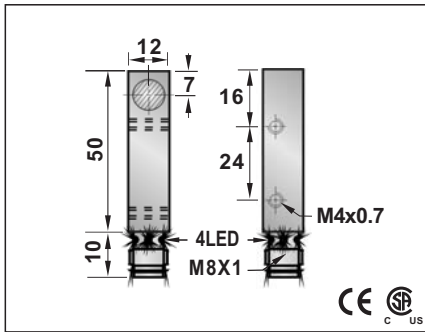
Approx.31 g

Q12、M18、M30

DC STANDARD BODY WITH EXTENDED SENSING DISTANCE CONNECTOR TYPE

DC STANDARD BODY WITH EXTENDED SENSING DISTANCE CONNECTOR TYPE

Q12
●
4 mm
die-cast
●

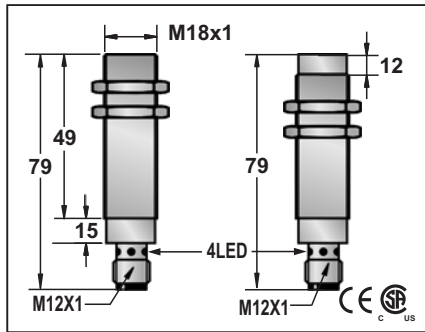


10-30VDC
<10%
<10mA
200mA
<0.01mA
-
-
<1.5V
1KHZ
0.2ms/0.2ms
<15%(Sr)
<1.0%(Sr)
IP67
-25°C - +70°C
<10%(Sr)
YES
220mA
<10ms
RFI>3V/m / EFT>1KV / ESD>4KV (contact)
IEC 60947-5-2, Part 7.4.1 / IEC 60947-5-2, Part 7.4.2
POM

<u>EQM1-1204N-ACU3T</u>	29
<u>EQM1-1204N-BCU3T</u>	29
<u>EQM1-1204P-ACU3T</u>	30
<u>EQM1-1204P-BCU3T</u>	30

Approx.38 g

M18	
●	○
8mm	16mm
nickel plated brass	
●	



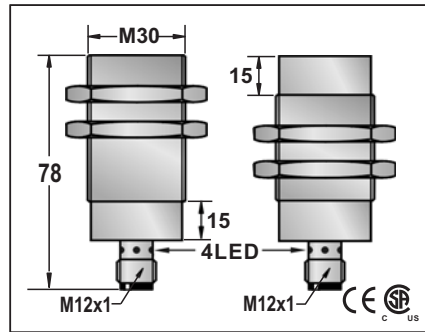
10-30VDC	
<10%	
<10mA	
200mA	
<0.01mA	
-	
-	
<1.5V	
500HZ	150HZ
0.5ms/0.5ms	1ms/1ms
<15%	
<1.0%(Sr)	
IP67	
-25°C - +70°C	
<10%(Sr)	
YES	
220mA	
<10ms	
RFI>3V/m / EFT>1KV / ESD>4KV (contact)	
IEC 60947-5-2, Part 7.4.1 / IEC 60947-5-2, Part 7.4.2	
PBT	

ECM1-1808N-ARU4	33	ECM2-1816N-ARU4
ECM1-1808N-BRU4	34	ECM2-1816N-BRU4
ECM1-1808P-ARU4	35	ECM2-1816P-ARU4
ECM1-1808P-BRU4	36	ECM2-1816P-BRU4
ECM1-1808P-SRU4	38	ECM2-1816P-SRU4
ECM1-1808N-SRU4	37	ECM2-1816N-SRU4
ECM1-1808C-ARU4	40	ECM2-1816C-ARU4
ECM1-1808C-BRU4	78	ECM2-1816C-BRU4

Please see Page 18 for details and specifications of DC 2-Wire models on this page.

Approx.94 g	Approx.91 g
-------------	-------------

M30	
●	○
16mm	25mm
nickel plated brass	
●	



10-30VDC	
<10%	
<10mA	
200mA	
<0.01mA	
-	
-	
<1.5V	
150HZ	100HZ
1ms/1ms	1ms/1ms
<15%	
<1.0%(Sr)	
IP67	
-25°C - +70°C	
<10%(Sr)	
YES	
220mA	
<10ms	
RFI>3V/m / EFT>1KV / ESD>4KV (contact)	
IEC 60947-5-2, Part 7.4.1 / IEC 60947-5-2, Part 7.4.2	
PBT	

ECM1-3016N-ARU4	33	ECM2-3025N-ARU4
ECM1-3016N-BRU4	34	ECM2-3025N-BRU4
ECM1-3016P-ARU4	35	ECM2-3025P-ARU4
ECM1-3016P-BRU4	36	ECM2-3025P-BRU4
ECM1-3016P-SRU4	38	ECM2-3025P-SRU4
ECM1-3016N-SRU4	37	ECM2-3025N-SRU4
ECM1-3016C-ARU4	40	ECM2-3025C-ARU4
ECM1-3016C-BRU4	78	ECM2-3025C-BRU4

Approx.187 g	Approx.179 g
--------------	--------------

Note:
Coming Soon : Part numbers with underline